

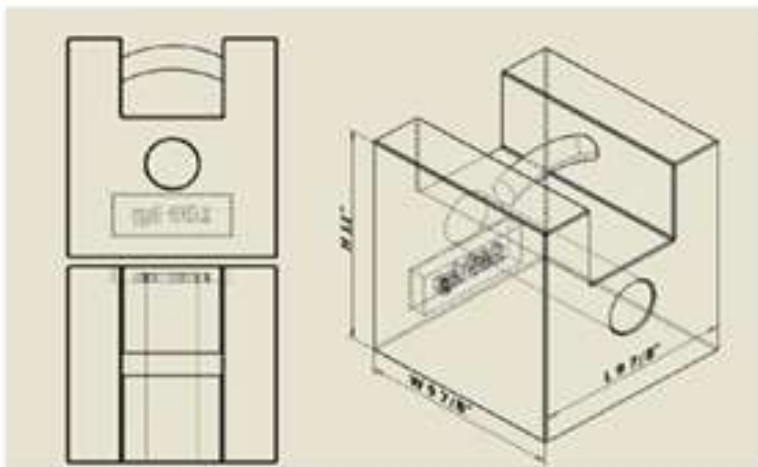


Large test weights for heavy industry

High Capacity Weights with Grip Handle Weights.
Ease of mobility

Specifications:

1. Tolerance OIML class M1 M2 (acc. to OIML R111-1:2004)
2. Material weight Cast iron
3. Density ρ 7100 kg/m³ \pm 600 kg/m³
4. Surface Painted (Two-component coating)
5. Colour: BLACK
6. Adjusting cavity According OIML



Cast Iron Weights 500kg



Cast Iron Weights 1000kg