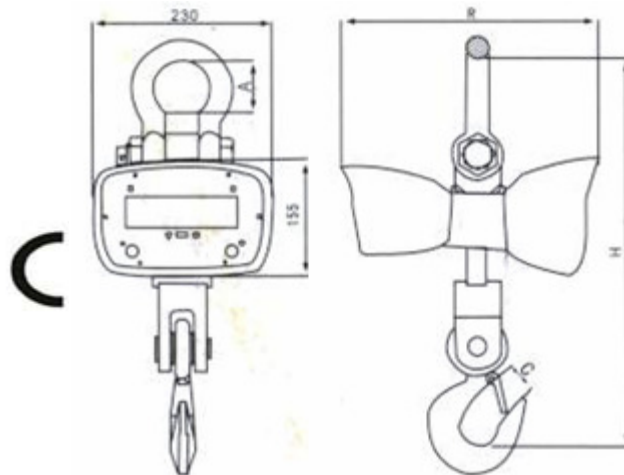




EVERIGHT model OCS-SL series CRANE scale



Model	A mm	B mm	C mm	H mm	N.W.
OCS-5-SL	130	360	45	720	23kg
OCS-10-SL	145	360	60	850	43kg
OCS-20-SL	170	360	85	900	60kg

Model	Capacity	Division
OCS-SL-5t	5t	1kg
OCS-SL-10t	10t	2kg
OCS-SL-20t	20t	10kg

Specifications:

- 30mm LED display
- 2 buttons aluminum steel housing
- Functions: zero, tare in/out, hold low voltage alarm,
- battery supervision, overload alarm, digital calibration
- tare set, total/delete/clear total, view total,
- resolution switch, auto off set, power-saving mode
- display luminance set, display speed set, anti-motion set,
- gravity acceleration set